

# CEMO CPH 484

## Multistage Centrifugal Pump



### **Description:**

CEMO Multistage Centrifugal Pumps are used for large volume water transport. We only use great quality materials and have excellence in manufacture as well as assembly.

### **Applications:**

Underground Mine dewatering and Dam dewatering.

### **Advantages:**

High efficiencies, Large flow rates and Massive heads. Excellent for long pipelines.



+2711 618 2003



+2711 618 3138

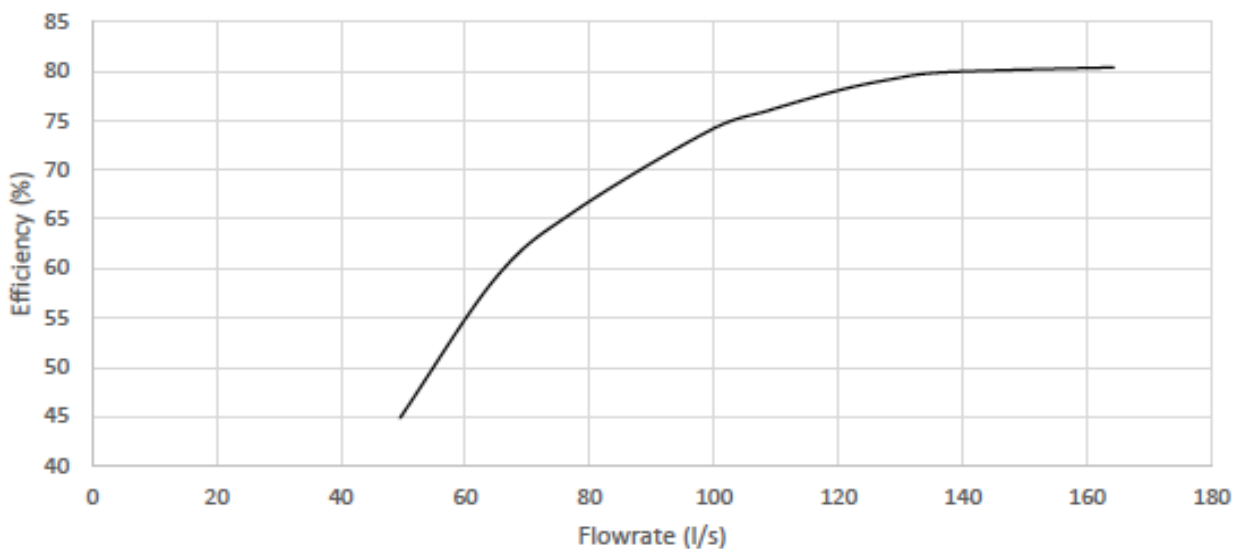
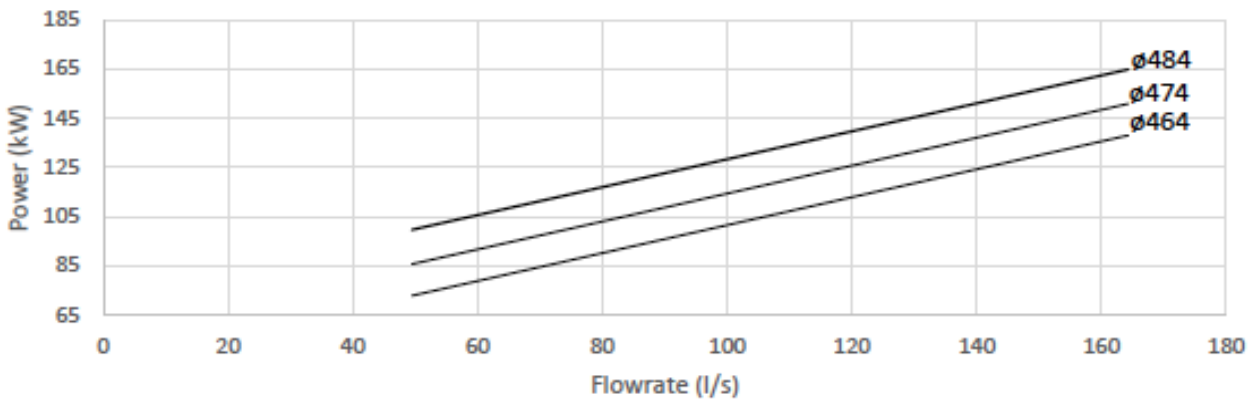
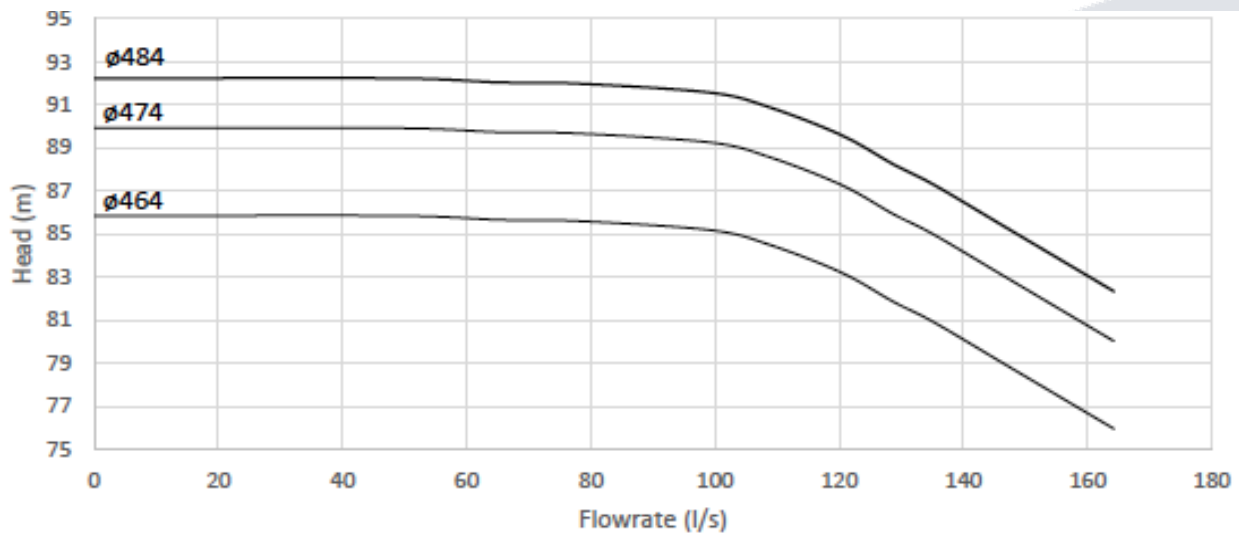


sales@cemo.co.za



www.cemo.co.za

Crown Building, 64 Hanau Street, Wolhuter, Johannesburg, South Africa  
P O Box 27023, Jeppestown, 2043, South Africa



*Data supplied may vary as required*



+2711 618 2003



+2711 618 3138



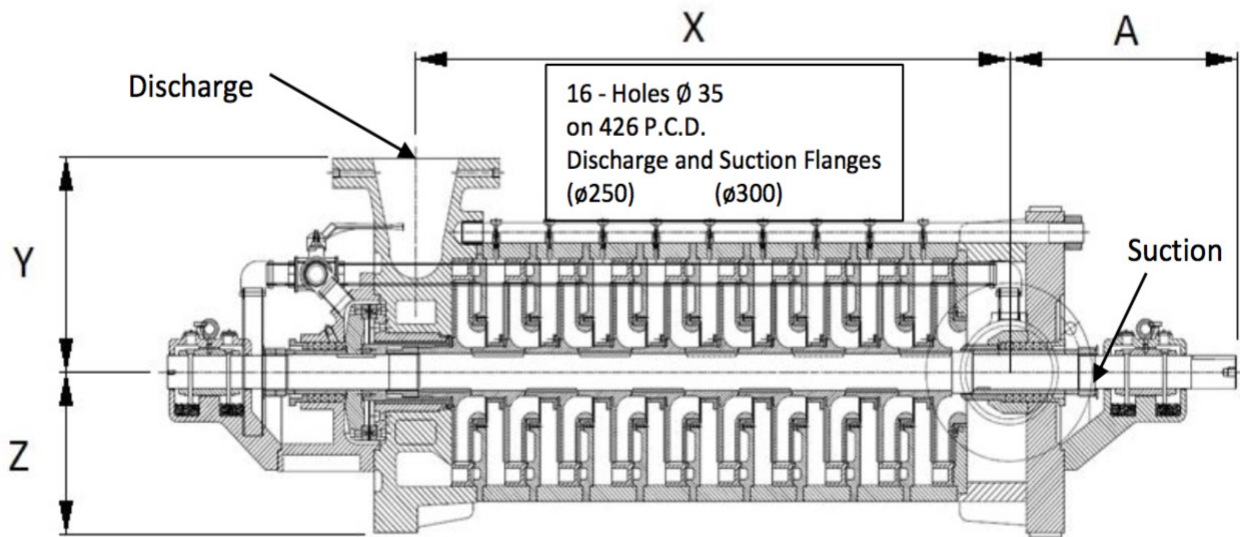
sales@cemo.co.za



www.cemo.co.za

Crown Building, 64 Hanau Street, Wolhuter, Johannesburg, South Africa

P O Box 27023, Jeppestown, 2043, South Africa



Number of Stages	X	Y	Z	A
4	780	580	435	597
5	935			
6	1090			
6	1245			
7	1400			
8	1555			
9	1710			
10	1865			
11	2020			
12	2175			

<b>Pump Speed</b>	1480 rpm	<b>Inlet Diameter</b>	ø300
<b>Impeller Diameter</b>	ø484	<b>Outlet Diameter</b>	ø250
<b>NPSH (Duty)</b>	7.1m	<b>Direction</b>	Anti- Clockwise

*Data supplied may vary as required*