

Crown 120 Triplex Plunger Mud Pump



Description:

The Crown 120 triplex plunger pump is a positive displacement pump which is excellent for moving a large volume of fluid at a very high head. The uniqueness of this pump is in its ability to handle higher specific gravity fluids than other plunger pumps. The proven design and material selection of the internal components ensures that longer life and running hours are achieved.

Applications:

Mud pumping, Slurry pumping, Mine dewatering, Sewage plant fluid handling.

Advantages:

Robust design, modular design, spares available, simple maintenance, integrated lubrication system, periodic overhaul services available, complete overhaul service available, service and troubleshooting expertise available.



+2711 618 2003



+2711 618 3138



sales@cemo.co.za

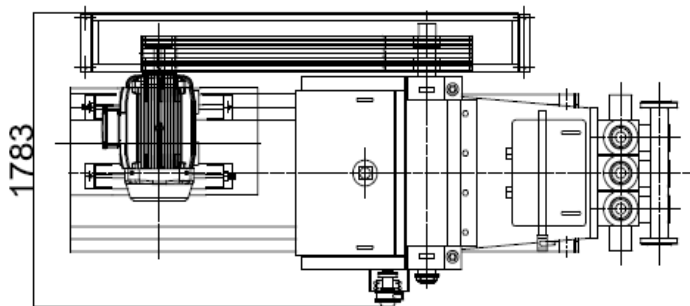


www.cemo.co.za

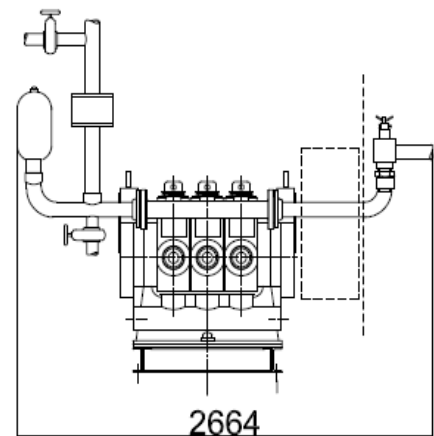
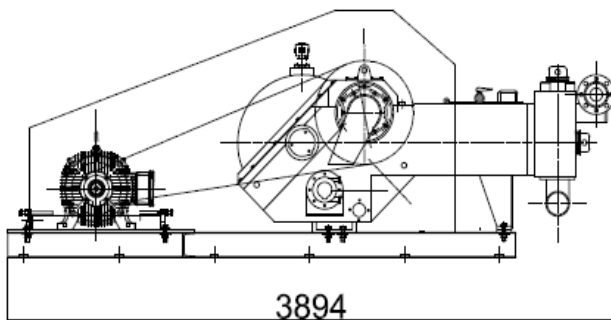
Crown Building, 64 Hanau Street, Wolhuter, Johannesburg, South Africa
P O Box 27023, Jeppestown, 2043, South Africa



SI Units							US Imperial Units				
Plunger Diameter (mm)	Motor Pulley ϕ (mm)	Pump Pulley ϕ (mm)	Flowrate (l/s)	Head (m)	Pressure (bar)	Power (kW)	Plunger Diameter (in.)	Flowrate (gpm)	Head (ft)	Pressure (psi)	Power (hp)
76	265	1000	3.87	2400	235.29	132	3	61.34	7874.01	3412	178
76	335	1000	4.89	1900	186.27	132	3	77.51	6233.59	2701	178
76	375	1000	5.48	1700	166.67	132	3	86.86	5577.42	2417	178
89	265	1000	5.31	1750	171.57	132	3½	84.17	5741.47	2488	178
89	335	1000	6.71	1400	137.25	132	3½	106.36	4593.17	1990	178
89	375	1000	7.52	1250	122.55	132	3½	119.2	4101.05	1777	178
102	265	1000	6.98	1350	132.35	132	4	110.64	4429.13	1919	178
102	335	1000	8.82	1050	102.94	132	4	139.81	3444.88	1493	178
102	375	1000	9.87	950	93.13	132	4	156.45	3116.79	1350	178
114	265	1000	8.72	1050	102.94	132	4½	138.22	3444.88	1493	178
114	335	1000	11.02	850	83.33	132	4½	174.68	2788.71	1208	178
114	375	1000	12.33	750	73.53	132	4½	195.45	2460.63	1066	178



NPSH: 1 – 3 bar



Data supplied may vary as required



SI Units							US Imperial Units						
Plunger Diameter (mm)	Motor Pulley ø (mm)	Pump Pulley ø (mm)	Flowrate (l/s)	Head (in.)	Pressure (bar)	Power (kW)	Plunger Diameter (in.)	Motor Pulley ø (in.)	Pump Pulley ø (in.)	Flowrate (gpm)	Head (ft)	Pressure (psi)	Power (hpi)
SG: 1.05													
76	265	1000	3.87	2000	196.08	90	3	11	40	61.34	6561.68	2843	121
76	335	1000	4.89	1550	151.96	90	3	14	40	77.51	5085.3	2204	121
76	375	1000	5.48	1400	137.25	90	3	15	40	86.86	4593.17	1990	121
89	265	1000	5.31	1450	142.16	90	3½	11	40	54.17	4757.21	2061	121
89	335	1000	6.71	1150	112.74	90	3½	14	40	106.36	3772.96	1635	121
89	375	1000	7.52	1000	998.04	90	3½	15	40	199.2	3280.84	1421	121
102	265	1000	6.98	1100	107.84	90	4	11	40	110.64	3608.92	1564	121
102	335	1000	8.82	850	83.33	90	4	14	40	139.81	2788.71	1208	121
102	375	1000	9.87	750	73.53	90	4	15	40	156.45	2460.63	1066	121
144	265	1000	8.72	850	83.33	90	4½	11	40	135.22	2788.71	1208	121
144	335	1000	11.02	700	68.62	90	4½	14	40	147.68	2296.58	995	121
144	375	1000	12.33	600	58.82	90	4½	15	40	195.45	1968.5	853	121
SG: 1.10													
76	265	1000	3.87	2400	235.29	110	3	11	40	61.34	7874.01	3412	148
76	335	1000	4.89	1900	186.27	110	3	14	40	77.51	6233.59	2712	148
76	375	1000	5.48	1700	166.67	110	3	15	40	86.86	5577.42	2417	148
89	265	1000	5.31	1750	171.57	110	3.6	11	40	84.17	5741.47	2488	148
89	335	1000	6.71	1400	137.25	110	3.6	14	40	106.36	4593.17	1990	148
89	375	1000	7.52	1250	122.55	110	3.6	15	40	119.2	4101.05	1777	148
102	265	1000	6.98	1350	132.35	110	4.1	11	40	110.64	4429.13	1919	148
102	335	1000	8.82	1050	102.94	110	4.1	14	40	139.81	3444.88	1493	148
102	375	1000	9.87	950	93.13	110	4.1	15	40	156.45	3116.79	1350	148
114	265	1000	8.72	1050	102.94	110	4.5	11	40	138.22	3444.88	1493	148
114	335	1000	11.02	850	83.33	110	4.5	14	40	174.68	2788.71	1208	148
114	375	1000	12.33	750	73.53	110	4.5	15	40	195.45	2460.63	1066	148
SG: 1.30													
76	265	1000	3.87	2400	235.29	132	3	11	40	61.34	7874.01	3412	178
76	335	1000	4.89	1900	186.27	132	3	14	40	77.51	6233.59	2701	178
76	375	1000	5.48	1700	166.67	132	3	15	40	86.86	5577.42	2417	178
89	265	1000	5.31	1750	171.57	132	3.6	11	40	84.17	5741.47	2488	178
89	335	1000	6.71	1400	137.25	132	3.6	14	40	106.36	4593.17	1990	178
89	375	1000	7.52	1250	122.55	132	3.6	15	40	119.2	4101.05	1777	178
102	265	1000	6.98	1350	132.35	132	4.1	11	40	110.64	4429.13	1919	178
102	335	1000	8.82	1050	102.94	132	4.1	14	40	139.81	3444.88	1493	178
102	375	1000	9.87	950	93.13	132	4.1	15	40	156.45	3116.79	1350	178
114	265	1000	8.72	1050	102.94	132	4.5	11	40	138.22	3444.88	1493	178
114	335	1000	11.02	850	83.33	132	4.5	14	40	174.68	2788.71	1208	178
114	375	1000	12.33	750	73.53	132	4.5	15	40	195.45	2460.63	1066	178

Data supplied may vary as required